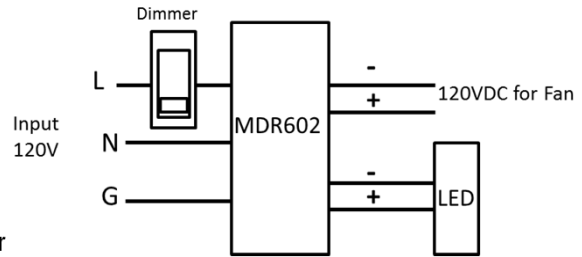


# SPECIFICATIONS

## Features

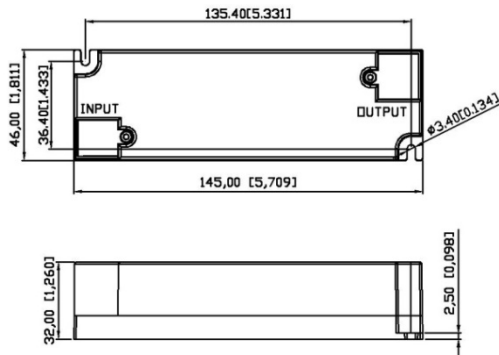
- Work for most 3-wire/2-wire dimmer
- Compact size/ Low profile
- Constant Current Output
- Active Power Factor
- Class 2 compliance
- 5 Year Warranty
- 12VDC AUX Output for Fan/Active cooler
- Restart at Lowest Dimming setting

## Wiring Diagram



## Mechanical and Thermal

Dimension L 5.709" × W 1.811" × H 1.260"  
 Lead Wire Length Push In Connector  
 Max. Case Operation Temp. 80°C



\* Dimension in Inch/Metric

## Protection

- Auto-reset electronic short circuit
- Overload protection
- Thermal protection
- Class 2
- Cold Start

## Environmental Specifications

- MTBF >100,000 hrs
- RoHS Compliant
- Lead Free SMT process
- Power Factor Correction / Low Load

## Electrical

Maximum Load	32W
Minimum Load	27W
Input Voltage	120V
Max Output Voltage/Current	28VDC/1400mA
Power Factor	>0.90
Max. Harmonic Distortion	<20%
Efficiency	80 typ.
No Load Loss	<1 W
TRIAC dimmable (2 wire & 3 wire dimmer)	
(see dimming compatibility)	



Note –

1. UL file No.: E340871



Macron Associate Co. – Power Supply Team

NO.352, Peng-Yi Road, Taiping, Taichung, Taiwan 411

TEL: 886-4-22708357 FAX: 886-4-22767307 Email: macron@macrongroup.com

C1115